

APPLICATION BULLETIN

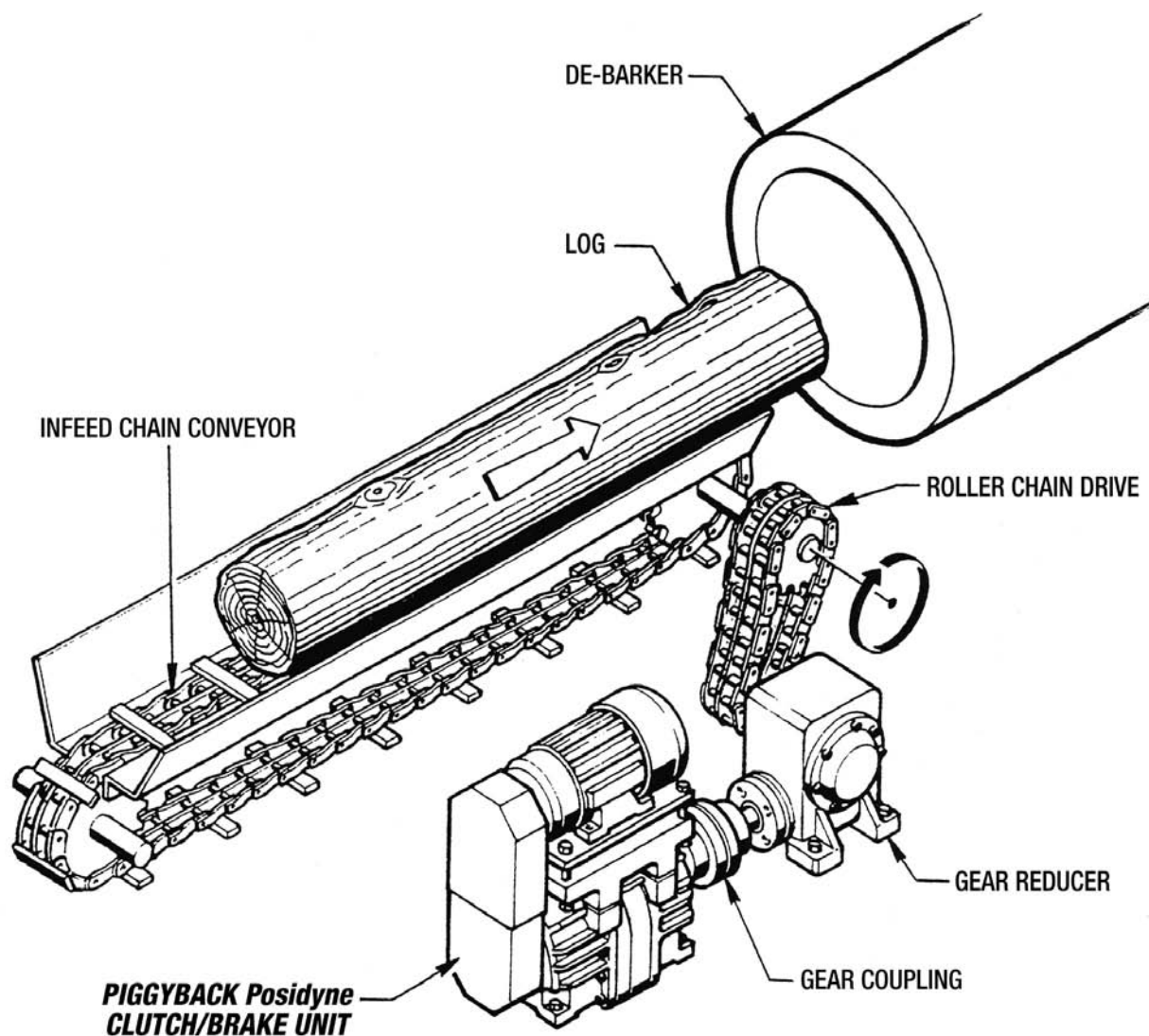


APPLICATION: De-Barker In-feed Conveyor

INDUSTRY: Dimension Lumber, OSB and Plywood / Veneer Plants

PRODUCT: Oil Shear *Posidyne* Clutch/Brake

DE-BARKER IN-FEED CONVEYOR



DE-BARKER IN-FEED CONVEYOR

WHERE THEY ARE USED: De-Barkers are used in most lumber operations including Dimension Lumber, Plywood/Veneer, and OSB plants. The In-feed Conveyor is used to feed the De-Barker, spacing the logs so they go through one at a time.

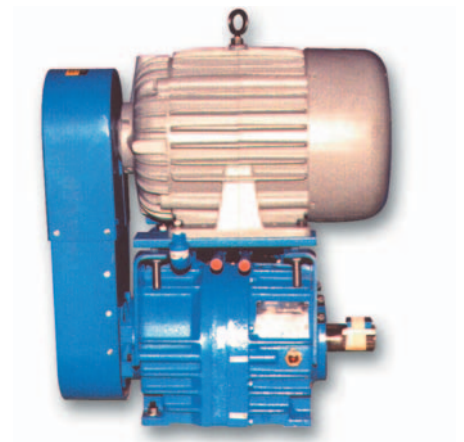
HOW THEY WORK: The De-Barker In-feed Conveyor is a chain conveyor, controlled by the operator. If more than one log is in the system the Infeed Conveyor will stop until the first is fully into the De-Barker.

PROBLEMS SOLVED: There is often only one De-Barker at a mill making the In-feed Conveyor critical to the through put of the mill. The **Posidyne** Clutch/Brake reduces the starting load on the motor improving efficiency, and reducing motor failures by allowing the motor to run continuously.

The **Oil Shear** system lubricates and cools the friction discs so that the **Posidyne** Clutch/Brake can provide many years of service under the grueling conditions of log handling. The quick response of the **Posidyne** Clutch/Brake enables the operator to have immediate control of the logs reducing jams etc.

IMPORTANT FEATURES:

- Totally enclosed, oil cooled unit for long service life with low maintenance in the harshest environments.
- Oil Shear Technology and innovative friction material provide smooth controlled torque for quick, smooth acceleration.
- Consistently accurate starts and stops with no adjustment required.
- Continuously running standard motor for long service and lower energy consumption



FORCE CONTROL INDUSTRIES, INC.

3660 Dixie Highway Fairfield, Ohio 45014

Phone: 513-868-0900 Fax: 513-868-2105

E-Mail: info@forcecontrol.com Web: www.forcecontrol.com