

Force Control Industries Knows Concrete Block Plants

Originator of Oil Shear brakes and clutches
Serving the Concrete Industry Over 40 years

- Design, Manufacture, and Repair oil shear products for the concrete industry
- Developing new products such as the MagnaShear electric brake and MagnaShear coupler brake for many of the curing, drying, and storage applications.
- Always looking for more new products to manufacture. Send us your problem applications.

Force Control Industries, Inc.
3660 Dixie Highway Fairfield, Ohio 45014 USA
Phone: 513-868-0900 Fax: 513-868-2105
Web: www.forcecontrol.com Email: info@forcecontrol.com



Force Control Industries, Inc.
3660 Dixie Highway
Fairfield, OH 45014

FORCE CONTROL INDUSTRIES KNOWS CONCRETE BLOCK PLANTS

Originator of Oil Shear Brakes and Clutches



Your one stop shop for
repair and replacement of:

*BESCODYNE
*BESCOSTOP
*BESCOSHEAR
POSIDYNE CLUTCH BRAKES
POSISTOP BRAKES
MAGNASHEAR BRAKES

UPGRADE YOUR WARNER, STEARNS, DINGS
AND CISCO UNITS TO FORCE CONTROL
Reduce Maintenance, Spare Parts
Inventory, and Overall Cost

The trademarks Bescodyne®, BescoStop®, and
BescoShear®, are the exclusive marks of The Besser
Company Alpena, Michigan.



NOW AVAILABLE
Assembled Brake Motors
for Vibrators



Lowest Price, Best Service, Highest Quality

For Parts & Service call 800-829-3244

Force Control Industries, Inc.
3660 Dixie Highway Fairfield, Ohio 45014 USA
Phone: 513-868-0900 Fax: 513-868-2105 | Email: info@forcecontrol.com
Website: www.bescodrives.com

MAGNASHEAR MOTOR BRAKES

Upgrade to MagnaShear Electric Motor Brakes

- No Adjustment Needed—Ever!
- Consistent Positive Stopping and Positioning
- Totally Sealed—Impervious to Dust and Dirt
- Reduce or eliminate spare parts
- Oil Shear Technology—Lasts 5 to 10 times longer without major maintenance



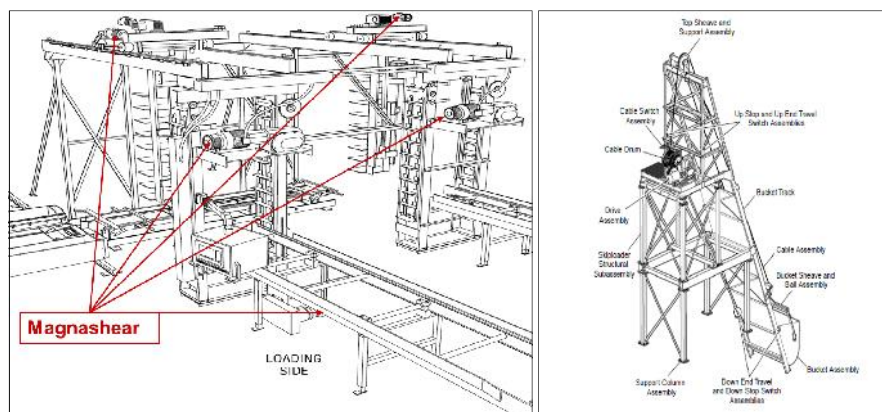
BRAKE MOTORS NOW IN STOCK

Get the Motor and Brake

- 1—5 HP Motors in Stock
- Complete assembled brake motors in stock
- Now available for quick delivery

REPLACE WARNER, NEXEN, STEARNS, DINGS, OR OTHER DRY FRICTION BRAKES ON;

- Conveyors
- Elevators
- Loaders
- Skip Hoists
- Stackers
- Unloaders
- Drying Racks
- Finger Cars
- Spade Drive



INNOVATION THAT NEVER RUNS DRY!



REPLACE THAT WARNER CLUTCH BRAKE

Replace that old Warner clutch brake on the older model Besser machines with a Posidyne retrofit package. Everything you need to upgrade to an oil shear block machine main drive.

- Oil Shear Technology provides 5-10 Times Longer Life
- Smoother Operation
- No regular Maintenance
- No Adjustment —Ever!
- Totally Enclosed Sealed Housing



Before



After

POSIDYNE CLUTCH BRAKES

The Posidyne Clutch Brakes have been used since the early 70's as a main drive and vibrator drive on some of the major concrete block making machines. Why?

- Extremely long life
- Minimal maintenance—no adjustment, simple fluid check
- Consistent acceleration
- Quick response
- 5-10 times longer life than competitive Clutch Brakes



POSISTOP MOTOR BRAKES—MOTORS NOW AVAILABLE

Replace that old Warner Brake with an Oil Shear Posistop Brake

- Totally enclosed design
- Incorporates Oil Shear Technology Improved counterweight dropping
- Improved phase control
- Reduced cycle time
- Reduced motor starting torque
- Improved block quality



REPAIR / REBUILD

When it comes to repairs come to the original. Replacing a few parts usually means reduced life, and the additional cost to do it again. Get it rebuilt properly;

- New factory warranty from the original manufacturer
- Original OEM parts
- Expedited repair and delivery service
- OEM Rebuild kits available
- Expedited Service – Next Day – Same Day

ERS EMERGENCY RESPONSE SERVICE

Force Control stocks complete rebuilt Posidyne clutch brakes at several locations around the country ready for immediate shipment.

- Receive the new Clutch Brake
- Remove old and install new unit
- Return old unit in reusable crate
- You have a full factory warranty



*The trademarks Bescodyne®, Bescostop®, Bescoshear®, and Smartpac® are the exclusive marks of The Besser Company Alpena, Michigan.

For Parts & Service Call 800-829-3244
Email info@forcecontrol.com