

APPLICATION BULLETIN

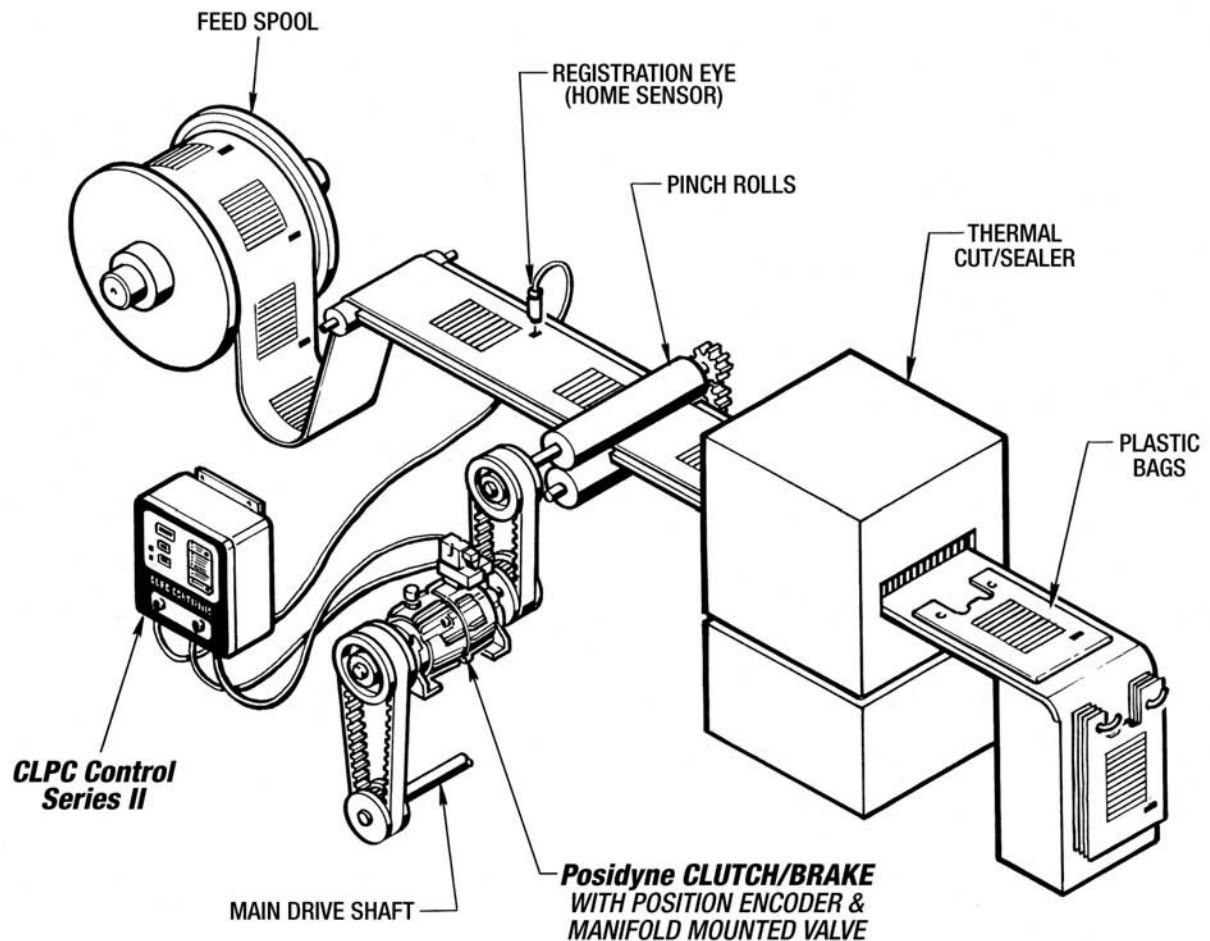


APPLICATION: Plastic Bag Cut-Off Feed Drive

INDUSTRY: Packaging (Plastic Bag Manufacturing)

PRODUCT: Oil Shear *Posidyne* Clutch/Brake with *CLPC II*

PLASTIC BAG CUT-OFF FEED DRIVE



FORCE CONTROL INDUSTRIES, INC.

3660 Dixie Highway Fairfield, Ohio 45014

Phone: 513-868-0900 Fax: 513-868-2105

E-Mail: info@forcecontrol.com Web: www.forcecontrol.com