

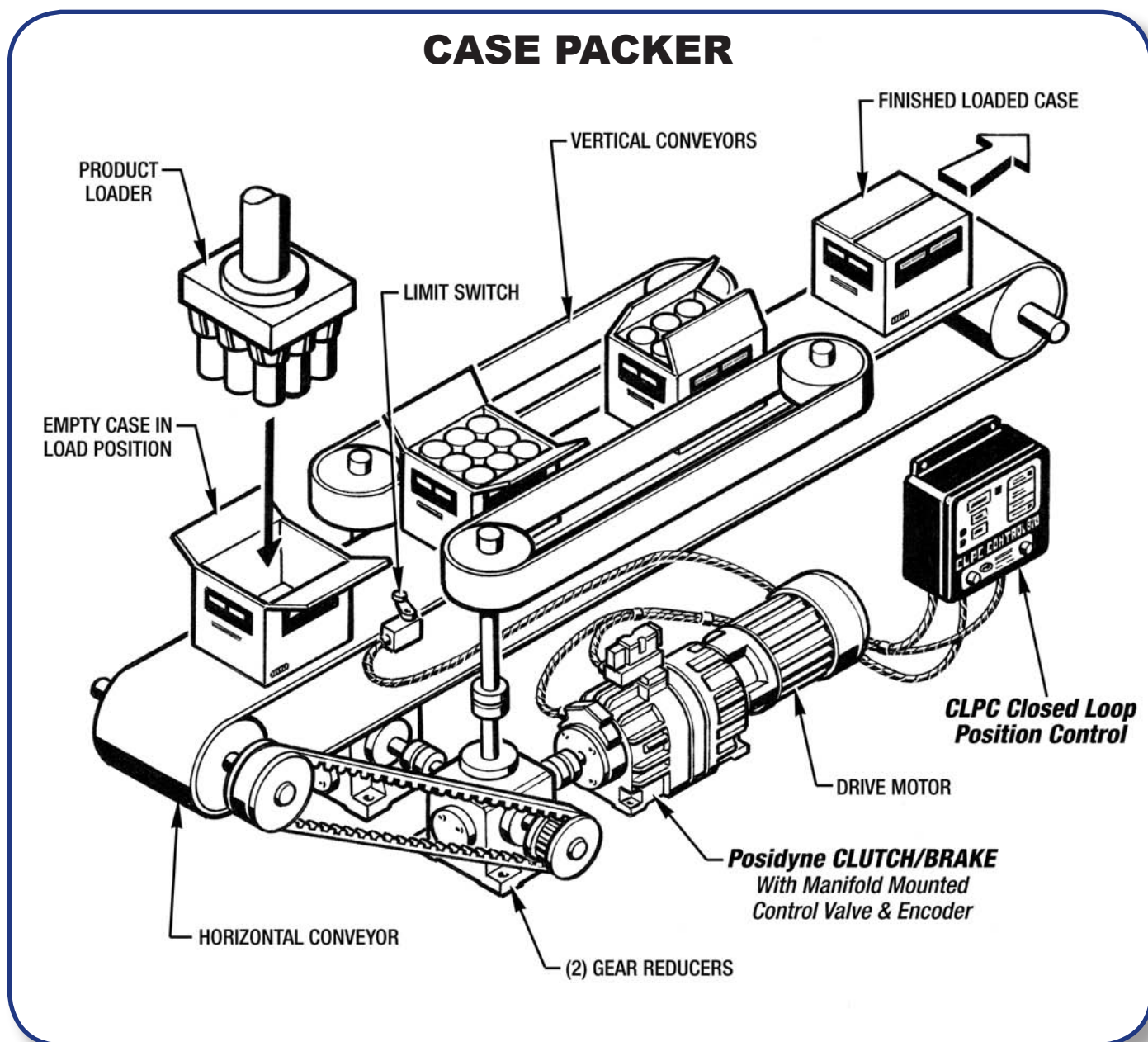
APPLICATION BULLETIN



APPLICATION: Case Packer

INDUSTRY: Packaging

PRODUCT: Oil Shear *Posidyne* Clutch/Brake With CLPC



CASE PACKER

WHERE THEY ARE USED: The case packer is used in consumer product manufacturing such as food, deodorant, cosmetics, sundries, grooming, etc. The can also be found in manufacturing of automotive aftermarket products and other small containers which are packed in case lots for shipping.

HOW THEY WORK: The case packer is used in many packaging operations where loose cans, bottles, tubes, or small packages are packed into a cardboard box or case. The loose product is brought into the packer where the box is formed around the product by the vertical conveyors. The glue is applied and the case sealed. The **Posidyne** is used to index the horizontal and two vertical conveyors as each case is indexed through.

PROBLEMS SOLVED: The **Posidyne** Clutch/Brake is often located underneath and fitted tightly within the other drive components. The high cycle rates and the torque required create high temperatures detrimental to dry units requiring constant air-flow. The **Posidgne**, using the re-circulated fluid to remove the heat of engagement works well in these adverse conditions. The compact size of the 02 **Posidyne** allows it to fit well within the confines of the machine.

IMPORTANT FEATURES:

- **Oil Shear** technology for smooth controlled starts and stops and accurate positioning.
- Patented recirculation system efficiently removes the heat of engagement from the friction surfaces.
- Totally enclosed housing protects the working surfaces from paper dust or spilled products.
- Air actuation provides controllable torque to the brake or clutch for acceleration and deceleration control.



FORCE CONTROL INDUSTRIES, INC.

3660 Dixie Highway Fairfield, Ohio 45014

Phone: 513-868-0900 Fax: 513-868-2105

E-Mail: info@forcecontrol.com Web: www.forcecontrol.com