

APPLICATION BULLETIN

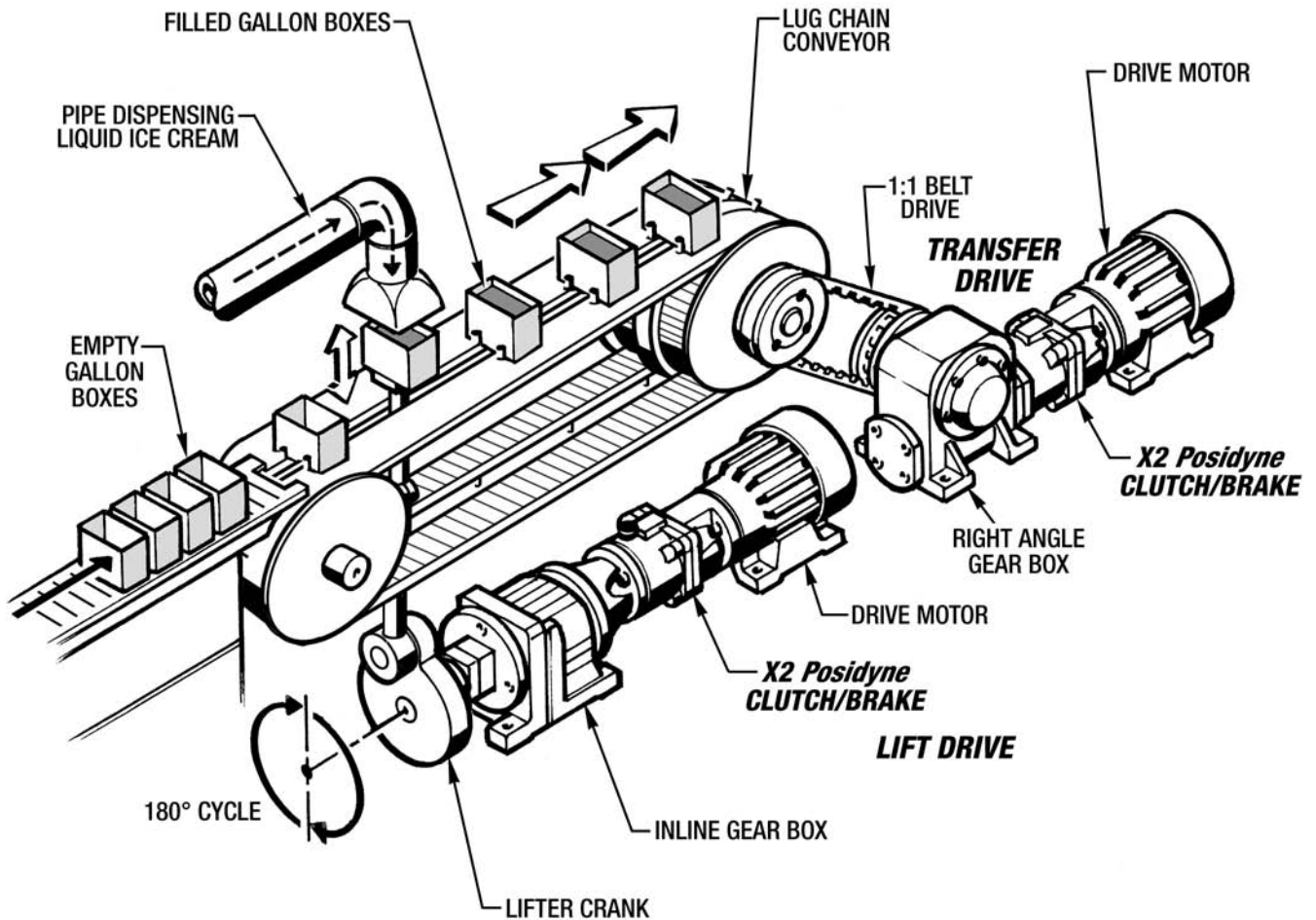


APPLICATION: Ice Cream Filling Station

INDUSTRY: Food and Dairy Processing Industry

PRODUCT: X2 Posidyne Clutch/Brake

ICE CREAM FILLING STATION



ICE CREAM FILLING STATION

WHERE THEY ARE USED:

Food and Dairy Processing Plants. They could be used to fill containers with cottage cheese, sour cream, butter, yogurt, etc.

HOW THEY WORK:

The Transfer Drive indexes an empty container 18" to the Fill Station. The Lift Drive rotates 180°, lifting the empty container to be filled with liquid ice cream. It then rotates another 180° lowering the filled container to the exit conveyor belt.

PROBLEMS SOLVED:

1. Reduced down time of Filling Station
2. Maintenance costs reduced
3. Spare parts inventory reduced

IMPORTANT FEATURES:

- 45 cycles per minute.
- 2,700 cycles per hour/20 hrs. per day = 54,000 cycles per day.
- 5 days per week...50 weeks per year = 13,500,000 cycles per year.



FORCE CONTROL INDUSTRIES, INC.

3660 Dixie Highway Fairfield, Ohio 45014
Phone: 513-868-0900 Fax: 513-868-2105
E-Mail: info@forcecontrol.com Web: www.forcecontrol.com