

# APPLICATION BULLETIN

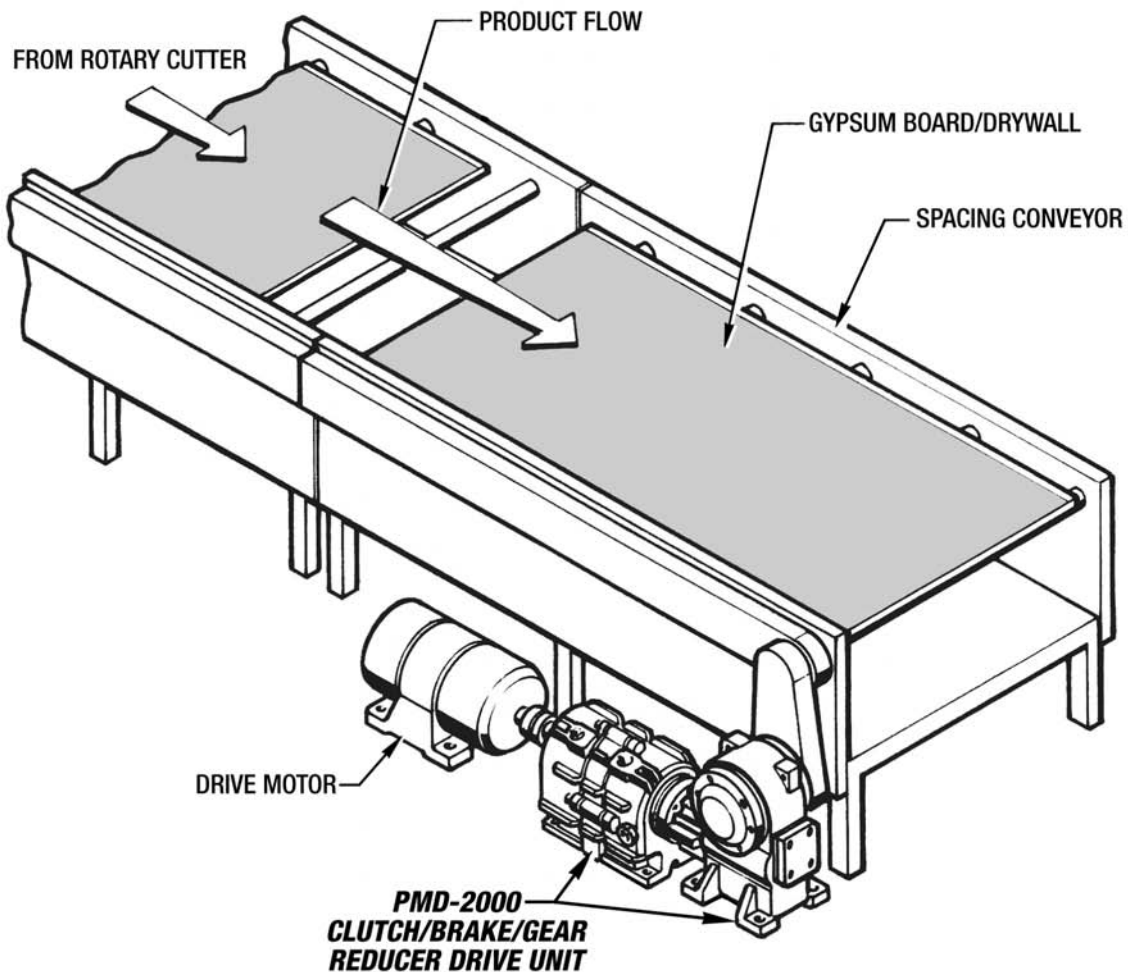


**APPLICATION:** Spacing Conveyor

**INDUSTRY:** Gypsum Board Plants

**PRODUCT:** Posidyne PMD (Packaged Machine Drive)

## SPACING CONVEYOR



### **FORCE CONTROL INDUSTRIES, INC.**

3660 Dixie Highway Fairfield, Ohio 45014

Phone: 513-868-0900 Fax: 513-868-2105

E-Mail: [info@forcecontrol.com](mailto:info@forcecontrol.com) Web: [www.forcecontrol.com](http://www.forcecontrol.com)