

APPLICATION BULLETIN

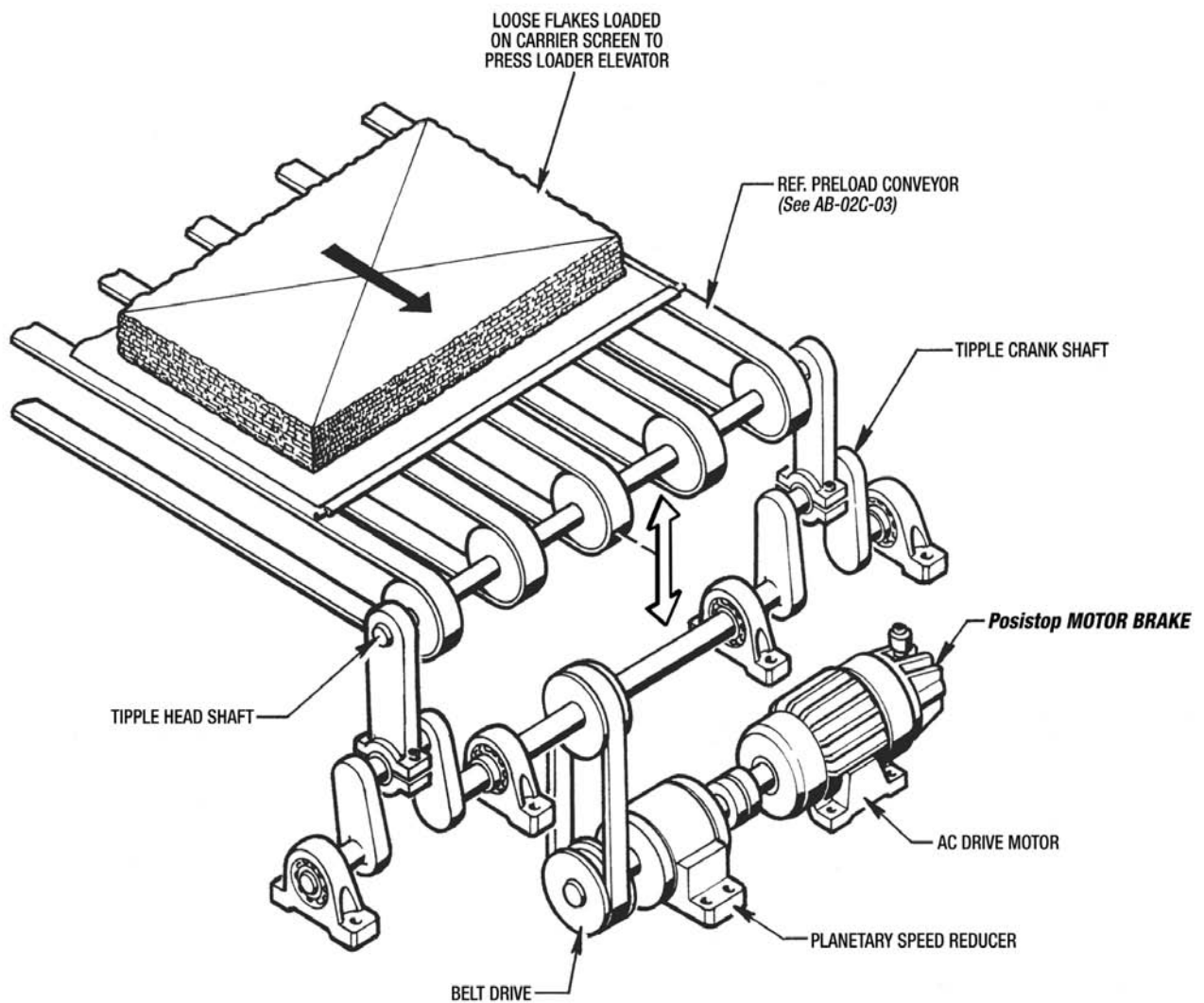


APPLICATION: Press Loader Tipple Crank Drive

INDUSTRY: (OSB) Oriented Strand Board Plants

PRODUCT: Oil Shear *Posistop* Motor Brake

PRESS LOADER TIPPLE CRANK DRIVE



PRESS LOADER TIPPLE CRANK DRIVE

WHERE THEY ARE USED: The Tipple Crank Drive is last drive of the Forming Line Section in the OSB plants. The Tipple Crank Drive is located on the head of the Pre-load conveyor. This conveyor is just before the Press Loader Elevator, and typically just after the Speed-Up Conveyors.

HOW THEY WORK: The Tipple Crank Drive is used in some plants to move the head shaft of the Preload Conveyor up or down. The purpose is to line up the Preload Conveyor with either the “even” or “odd” levels of the press loader elevator. The tipple crank drive has two positions that are 180 degrees apart. The Tipple Crank will stay in the “even” position while all “even” levels of the press loader are filled. It will then move to the “odd” position and stay there until all of the “odd” levels of the press loader are filled. The drive is similar to the other drives on the forming line, except it does not require a tachometer.

PROBLEMS SOLVED: The main problem with the dry friction brakes is they mechanically fail frequently. The atmosphere around the forming line and throughout the plant is damp. The repetitive cycling of the brakes causes frequent failures.

The Force Control **Posistop** Motor Brake puts an end to the monthly maintenance of the motor brakes. The **Posistop** Brakes are drop in replacement for many of the dry friction brakes that are typically used throughout the industry. The totally enclosed **Oil Shear** design of the **Posistop** Motor Brake provides a totally enclosed brake that is immune to the damp atmosphere and there are no flimsy mechanical linkages to fail due to repetitive use.

The end result is a brake that will easily install to replace the typical dry friction electric brake to provide a very reliable, long life, brake with no maintenance other than an annual oil change.

IMPORTANT FEATURES:

- **Oil Shear Technology** gives the **Posistop** motor brake extremely long life, as well as consistent stopping.
- The totally enclosed design provides a brake that is not effected by harsh environments.
- Special model brakes provide drop in replacements for several of the commonly used dry friction brakes. See models MB-210-458, MB-210-473 and M8-250-210.



FORCE CONTROL INDUSTRIES, INC.

3660 Dixie Highway Fairfield, Ohio 45014
Phone: 513-868-0900 Fax: 513-868-2105
E-Mail: info@forcecontrol.com Web: www.forcecontrol.com