

APPLICATION BULLETIN

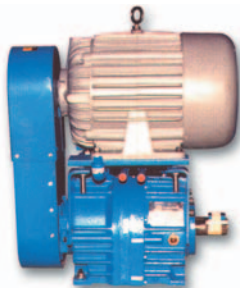
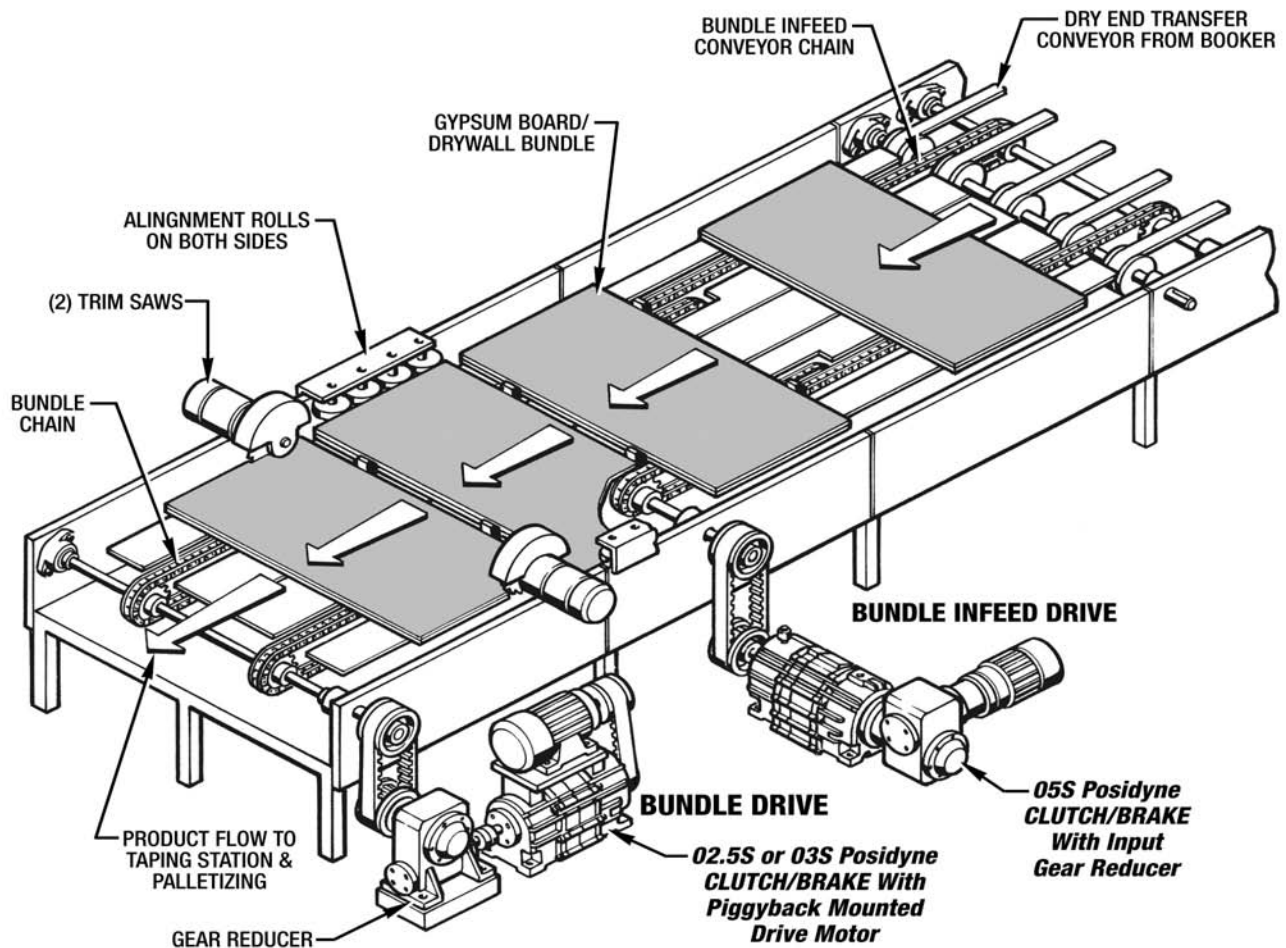


APPLICATION: Bundle Infeed Drive & Bundle Drive

INDUSTRY: Gypsum Board/Drywall Plants

PRODUCT: Oil Shear *Posidyne* Clutch/Brake

BUNDLE INFEED DRIVE & BUNDLE DRIVE



FORCE CONTROL INDUSTRIES, INC.

3660 Dixie Highway Fairfield, Ohio 45014

Phone: 513-868-0900 Fax: 513-868-2105

E-Mail: info@forcecontrol.com Web: www.forcecontrol.com